

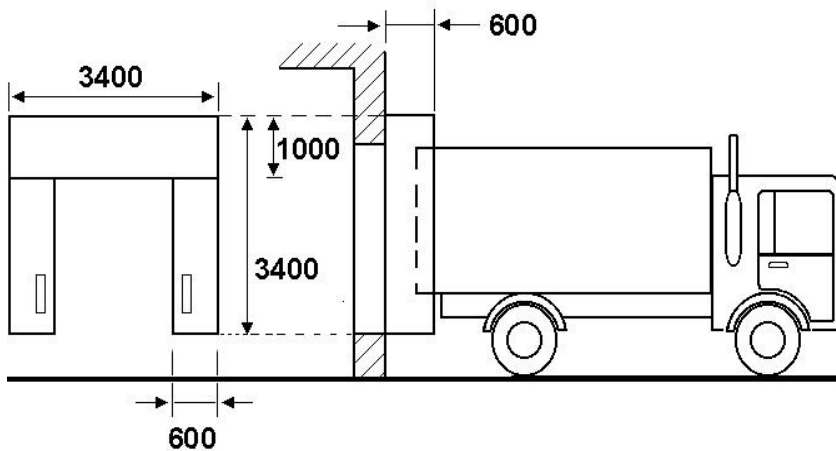
TECHNICAL PRODUCT SHEET

DOCK SHELTER PAW-L



Dock shelters are necessary to correctly isolate your staff and goods of your warehouse from bad weather conditions and sudden variations of temperature. With the installation of ARMO dock shelters you save on a lot of energy.

Flat roof model PAW-L(N)



Structure characteristics

Outside width	mm	3400
Side panels	mm	600
Upper panel	mm	1000
Outside height	mm	3400
Depth	mm	600
Suggested installation H from truck floor	mm	4500

- Dock shelter with front part in black rubber with differential stiffness.
- Opening/closing device through swinging scissors. The truck, by coming back, can press the dock shelter structure without causing damages.
- Self-carrying structure in SENDMIR galvanized steel tube, telescopic type, to deaden possible impacts with trucks.
- Front part made with two-layer anti-wear black rubber plates, with differentiated elasticity in the weft and warp by means of double reinforcing canvas on the two sides.
- Covering tarpaulin in polyester PVC with reinforcement border for fixing.
- Side tarpaulins in black PVC of 700 gr/mq.
- The front part is surrounded from a frame in extruded natural aluminium.
- Standard colour: black



(+39)-011.71760.11



info@armoweb.com



(+39)-011. 71760.19



<http://www.armoweb.com>