

"Armo Docks"

reliable, cost-effective, long-lasting



Industrial loading bay manufacturer





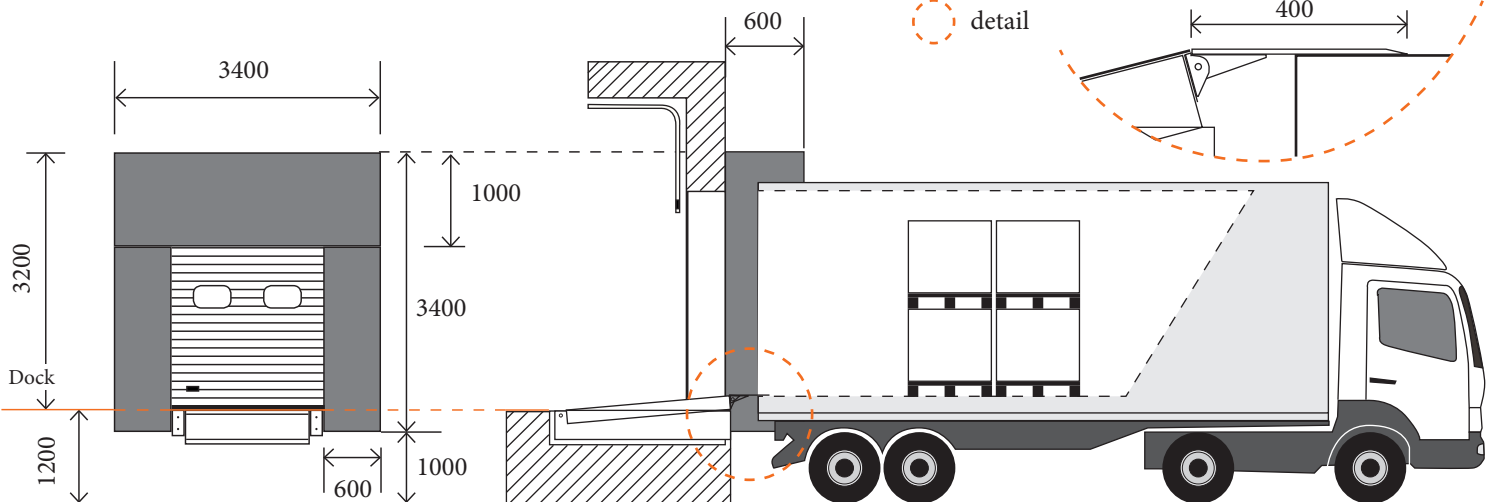
Armo s.p.a was founded in 1972, and developed day by day the quality of its production, the efficiency of its industrial organisation and the experience of its staff.

Armo can supply quick and exhaustive answers to all problems submitted by customers, both with our well-equipped warehouse as well as with our special products designed and manufactured according to the customers' needs.

Competence



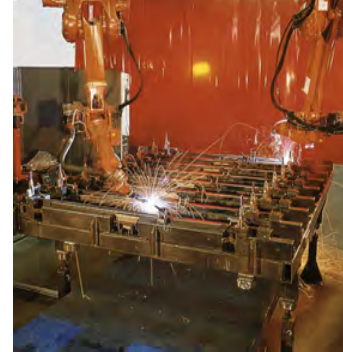
Industrial loading bay experts



Maintenance and installation

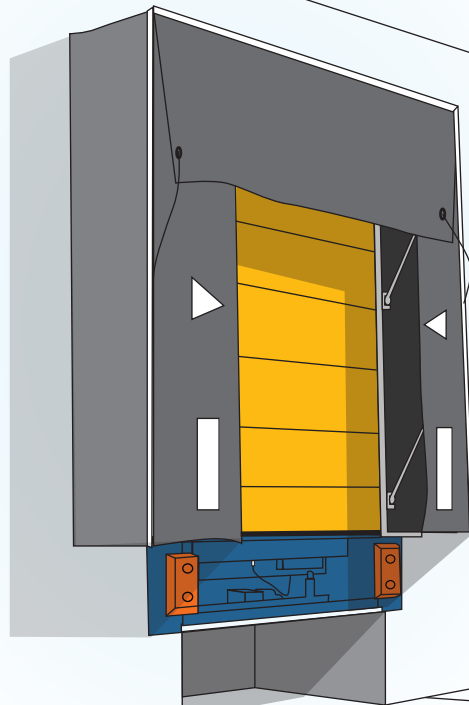


State-of-the-art production



Dock Shelter ●

Heavy duty dock shelter suitable for accommodating vehicles of varying overall heights whilst at the same time providing an effective seal between docked vehicle and building. Mounted on a fully retractable frame meaning an 'off centre' reversing vehicle can collide with the frame and simply push it back rather than damage it.



Sectional Door ●

The loading bay is completed with the insulated sectional door that provides a safe barrier when closed and also provides safe access to the docked trailer when in the open position. Our complete range is available in optional colours, track designs and can be manual or electrically operated

Bumpers ●

Rubber or steel faced buffers are positioned on either side of the dock leveller and provide a safe 'stop' for the reversing vehicle; the buffers also provide protection to both the dock leveller and building façade

Dock Leveller ●

The dock leveller is provided to bridge the distance between the loading dock and the bed of the docked trailer, the design enables the dock leveller to accommodate a range of trailer bed heights both above and below dock level. Armo has designed its dock leveller to provide the end user with maximum safety during the loading / unloading operations as well as ensuring the product is very easy to maintain. Armo dock levellers are reliably safe and are produced to high quality standards





Armo s.p.a.

Registered Office: Via Rosa di Luxemburg, 1
10093 Collegno (TO) - Italy

Operational Office: Via Vittime di Bologna
10/16 10060 None (TO) - Italy

Share Capital € 1.600.000 i.v.

c.c.i.a.a. n.667754

Registro società n. 4136/85

VAT n. 04873070017

Tel. +39.011.71760.11

Fax +39.011.71760.19

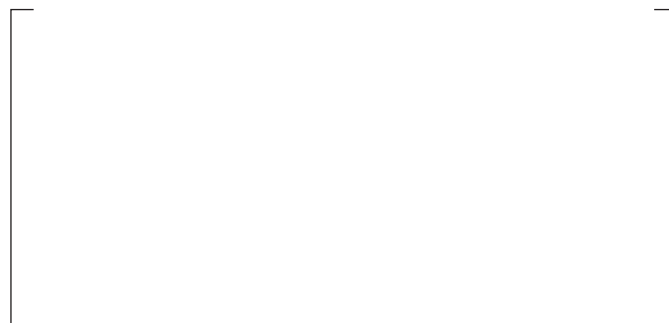
e-mail: info@armoweb.com

www.armoweb.com

Armo is also...

- Industrial doors
- Scissor lifting tables
- Tippers
- Maintenance & Service
- Residential Sectional Doors

Ask our partners



Armo spa may, at any time and without any notice or obligation, change the specification of the goods presented in this leaflet.